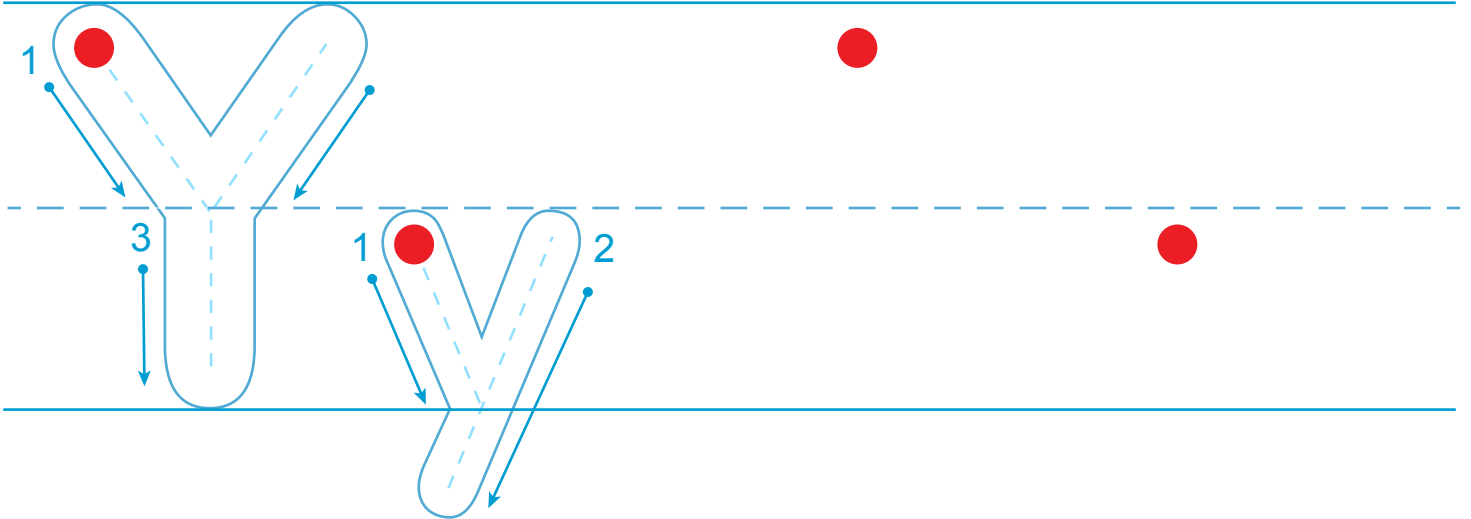


# Alphabet: Letter Y



Write the letter Yy.



Circle the pictures with the Y sound.

